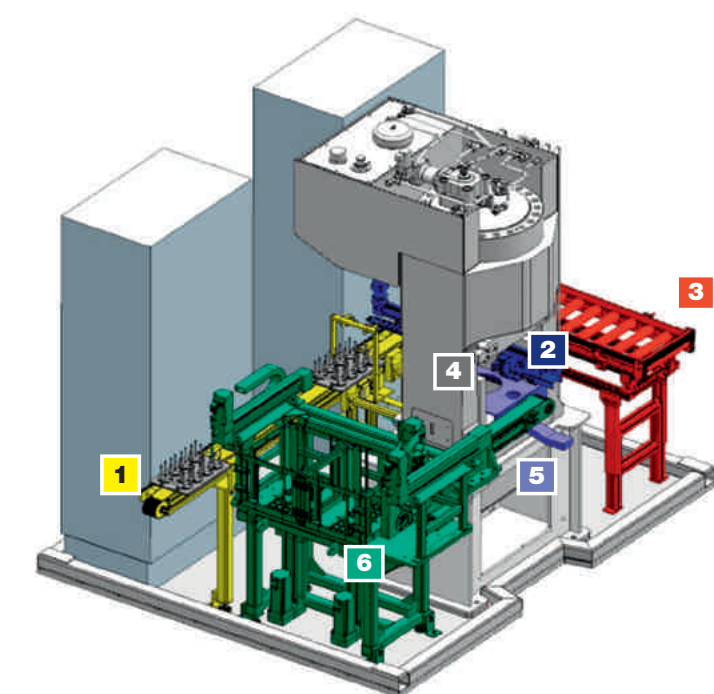


THE NEXT GENERATION: THE TABLE MEDAL AUTOMAT

A quantum leap in productivity and versatility

The table medal automat (TMA-350) combines the advantages of the oil-hydraulic presses with the completely new standards referring to automation and flexibility. The base includes the genes of the legendary TMP (table medal press). For the development, we gathered our customers' requirements and ideas for two years and implemented them consequently. With the TMA-350, we now introduce new standards in the field of oil-hydraulic medal presses.



- 1** Loading with magazine trays
- 2** Vacuum transfer unit
- 3** Unloading of empty magazine trays
- 4** Hydraulic press 350t
- 5** Single part extraction / Quality control
- 6** Tray magazine

Fast Forward Technology

Productivity

- Automatic
- Semiautomatic
- Manual

Quality

- Proof-quality
- Proof-like
- Bullion

Technology

- Energy-saving direct drive (SSpA)
- Minimum floor space requirement
- Ergonomic design
- Safest material transport

Flexibility

- Shortest set-up time
- Quick exchange of coining dies
- Easy operation

Options

- Tray feeding
- Bimetal feeding
- Shaped parts
- Bars / Ingots production

WORLD-RENOWNED PRESSES MADE IN GERMANY

Your specialist for oil-hydraulic press systems

Sack & Kiesselbach has been in business since 1891. With 1,500 presses, supplied internationally, we have established our reputation all over the world.

We develop customised, turnkey press systems developed and manufactured in Germany. As well as the coin industry, we supply customers from various industries all over the world.

Sack & Kiesselbach is a medium-sized company with clear business structures. This allows us to respond to special requirements quickly and easily, resolving individual solutions in co-operation with our customers

Sack & Kiesselbach machines are known for their long life cycle. Our competent, committed employees ensure that these investments remain productive and up to date for decades. Just what people expect from "Made in Germany".



SACK & KIESSELBACH

Sack & Kiesselbach Maschinenfabrik GmbH · Langster Str. 9 · D-40668 Meerbusch
 Phone: +49 (0) 2150 75 62-0 · Fax: +49 (0) 2150-75 62-100 · Mail: info@sack-kiesselbach.de

www.sack-kiesselbach.de

PROOF QUALITY MEETS FAST FORWARD TECHNOLOGY



TMA-350

- Rigid, one-part casted press frame for extremely low deflection

- Modern and ergonomic design with minimum floor space requirement

- Energy-saving direct drive with AC servo-motor (SSpA)

- Designed for automatic and manual operation

- Operator-friendly touch screen

- Quality control section / single part extraction

- Fully automatic 3-axis transfer for loading of coin trays with pick & place unit



TECHNICAL DATA

TMA-350

Suitable for embossing coins and medals in proof quality

Production capacity up to 15 parts/min

Blank size up to Ø 60 mm max.*

Pressing force 100 – 3.500 kN

Ram plate (w x d) usable 390 x 400 mm

Table plate (w x d) usable 390 x 400 mm

Daylight 550 mm

Ram stroke 120 mm

Table height (above floor) 960 mm

Closing speed 200 mm/sec

Pressing speed 4,1 mm/sec

Opening speed 160 mm/sec

Driving power 15 kW

Table ejector

Force 100 kN

Stroke 32 mm

* in silver & gold

TMA-350 PROOF QUALITY MEETS ▶ FAST FORWARD TECHNOLOGY

Benefit from the advantages of a hydraulic press – even for large volume production

- **100 % pressing force**
adjustable over the whole stroke
- **Pre-set pressing speed**
depending on the product
- **Variable pressing speeds**
can be changed during operation
- **Higher work capacity**
with multiple pressing
- **Function – pressure holding time**
for the best material flow
- **Longer tool lifetime**
- **Easy and fast set-up**
for different kinds of products
- **impossible to overload the press**
- **Exact height of coin image**
on each coin through electronic position measuring system